



PIETRA SOFA

Norde

TECHNICAL SPECIFICATIONS

Designed by
Norde Design Studio

INTERIOR STRUCTURE FRAME BEECH AND ELASTIC COLUMN

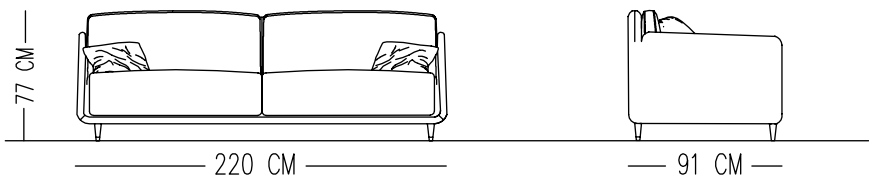
SEAT CUSHION HR FOAM

BACK HR FOAM

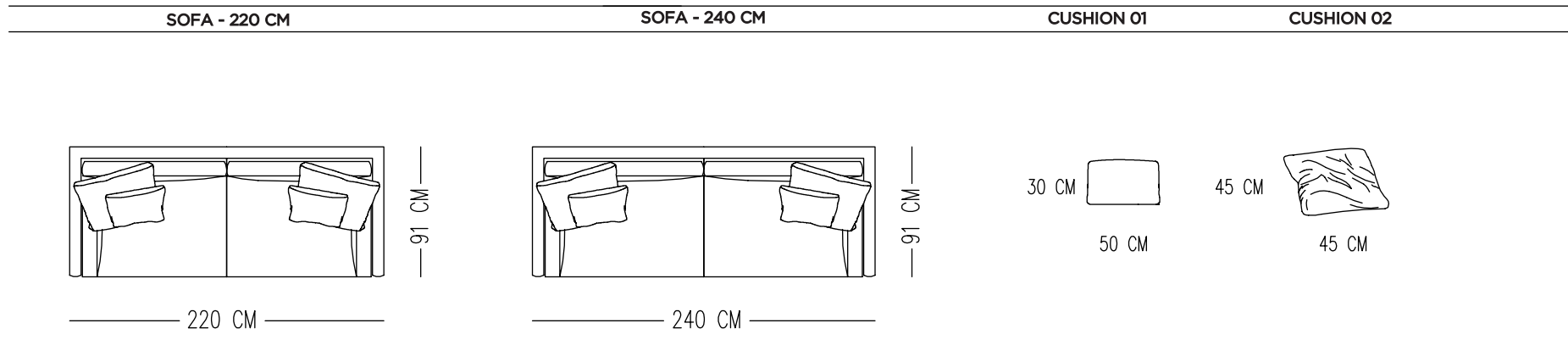
UPHOLSTERY TIGHT

MAINTENANCE ALL DECORATIVE CUSHIONS ARE GOOSE DOWN AND SILICON MIX, QUANTITY AND DIMENSIONS ARE AS PER TECHNICAL DRAWINGS. STANDART WITH 4 CUSHIONS 45*45, 3 CUSHIONS 35*50

We recommend shaking and fluffing-up the cushions regularly to maintain the shape. This should be done after removing the cushions from the structure for improved air circulation. For maintenance of fabric and leather, please contact your retailer.



STANDARDS



Catalog product-fabric

N-B13/Linen
A GRI - 01

Catalog product-Legs

Black wood and brass old detail

Alternative fabric
Linen and Boucle