



MINT ARMCHAIR

TECHNICAL SPECIFICATIONS

Norde

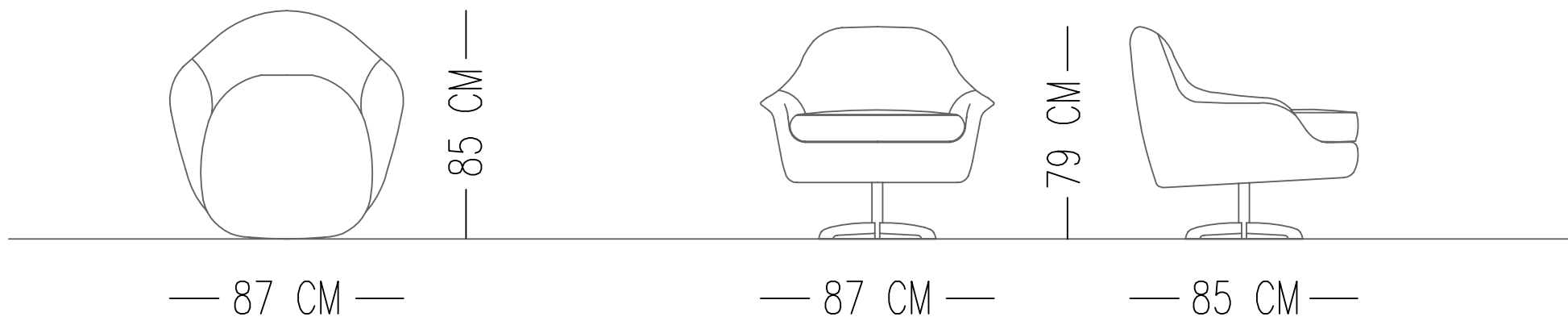
Designed by
Norde Design Studio

INTERIOR STRUCTURE BEECH HARDWOOD FRAME AND ZIGZAG BOW

SEAT CUSHION HR FOAM

BACK HR FOAM

UPHOLSTERY TIGHT



Catalog product-fabric

N+A45/Linen
1451

Catalog product-Legs

Swivel Mechanism

Alternative fabric
Linen,Boucle and Linen teddy