



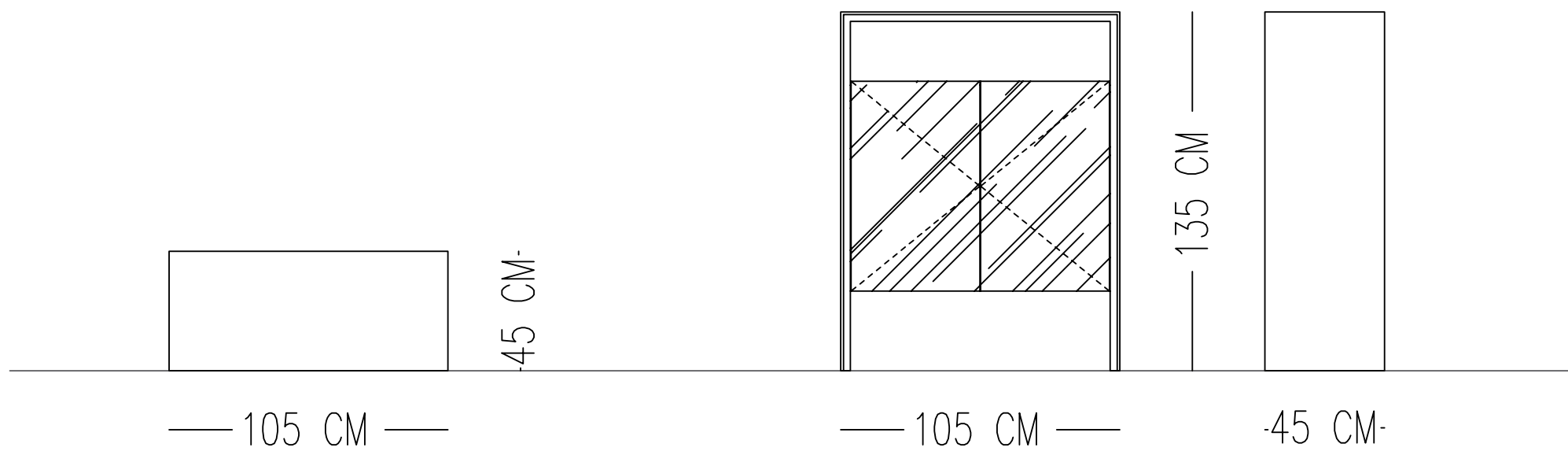
FRAME BUFFET

TECHNICAL SPECIFICATIONS

STRUCTURE	LAQUER PAINTED ON WOOD (MATT)
CABINET	LAQUER PAINTED ON WOOD (GLOSS)

Norde

Designed by
Erdem Akan



Catalog product

Structure
Laquer Painted on
(Matt)

N-02HM

Cabinet
Laquer Painted on
(Gloss)

N-02HP

Inside
Flat cut oak veering with
natural varnish &
sandblasted finish