



DOMINO BEDSTEADS

Norde

TECHNICAL SPECIFICATIONS

Designed by
Norde Design Studio

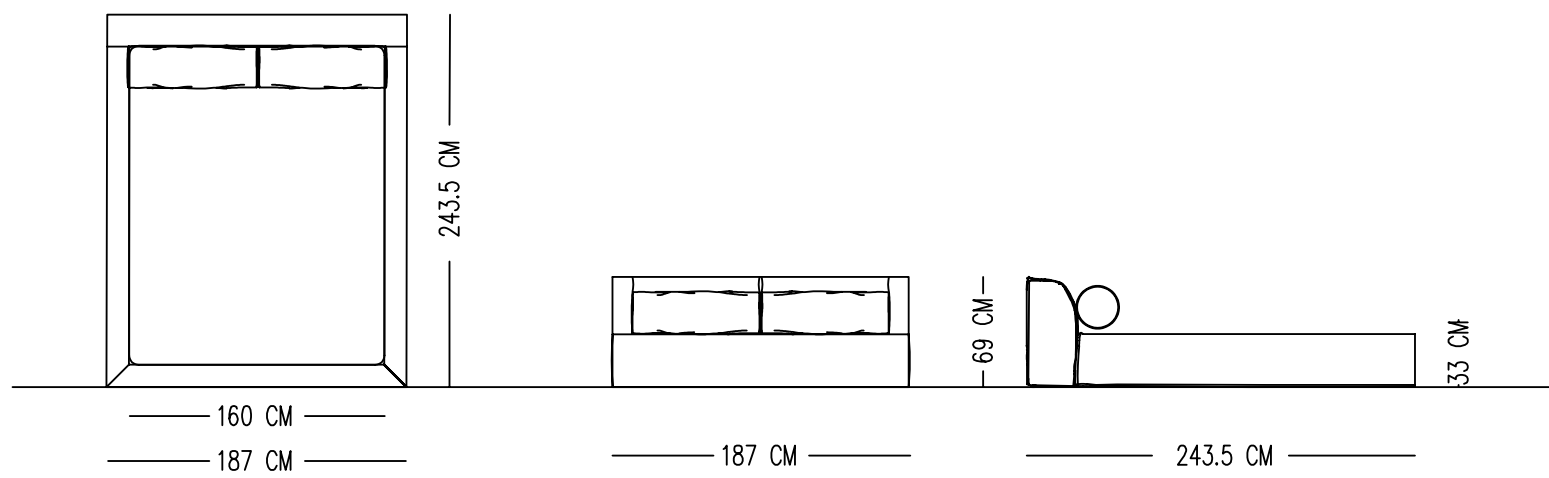
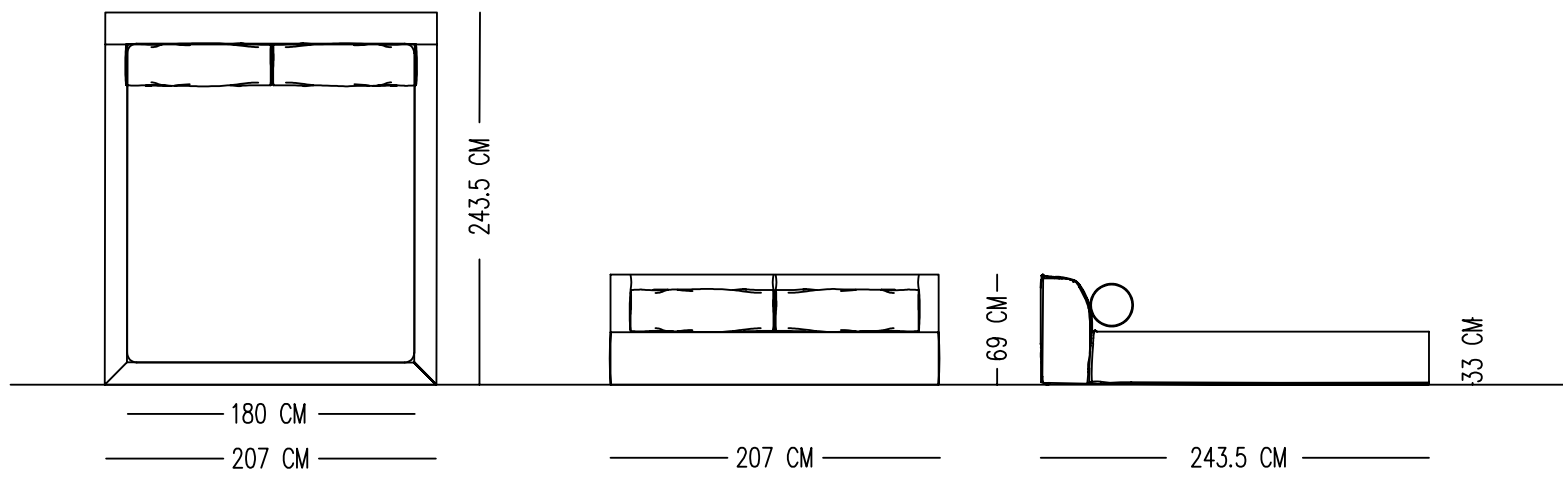
INTERIOR STRUCTURE FRAME BEECH CONTRA

BACK CUSHION HR FOAM

UPHOLSTERY TIGHT

LEGS BLACK METAL

MAINTENANCE We recommend shaking and fluffing-up the cushions regularly to maintain the shape. This should be done after removing the cushions from the structure for improved air circulation. For maintenance of fabric and leather, please contact your retailer.



Catalog product

Catalog product-Fabric
N-A15/Nubuck
016

Catalog product-Legs
Hidden leg

Alternative fabric
Linen,Soft velvet and Nubuck