

ANGE STEADS

TECHNICAL SPECIFICATIONS

Norde

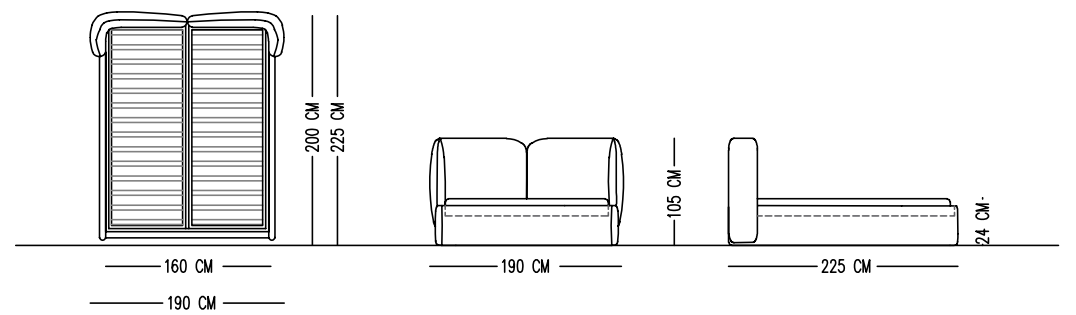
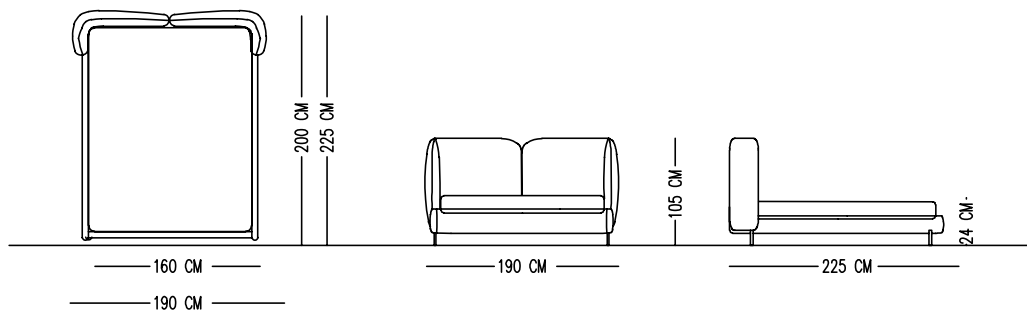
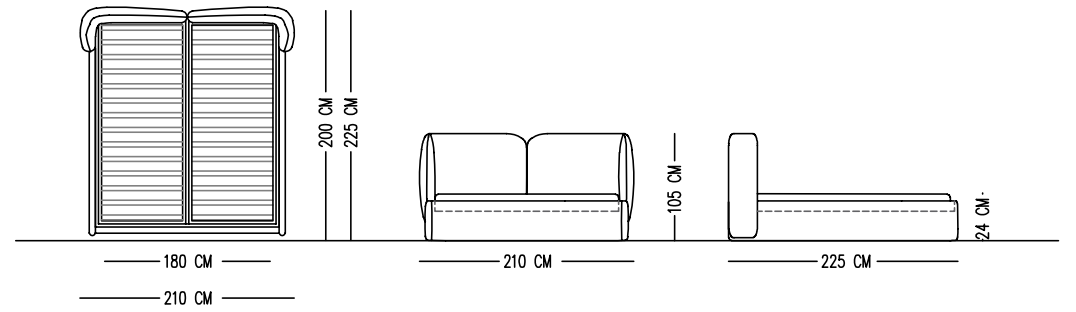
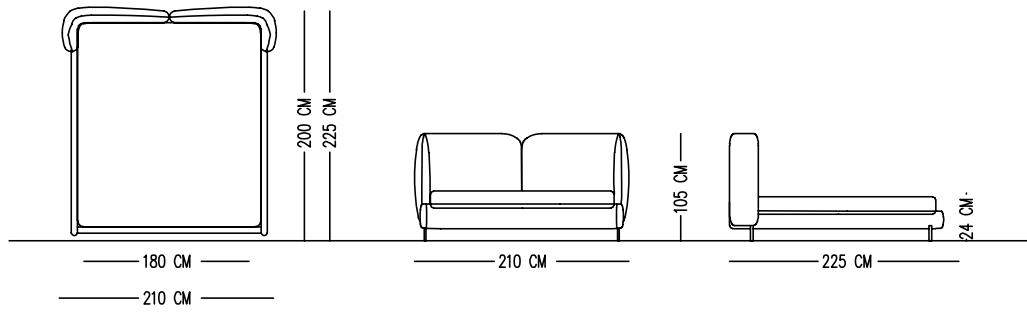
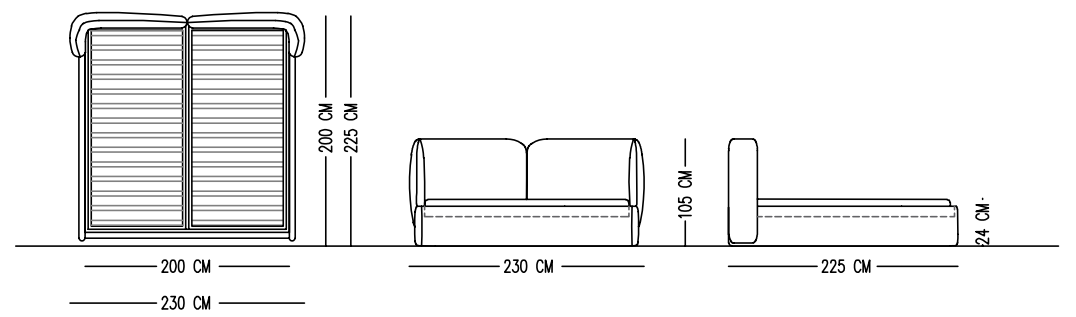
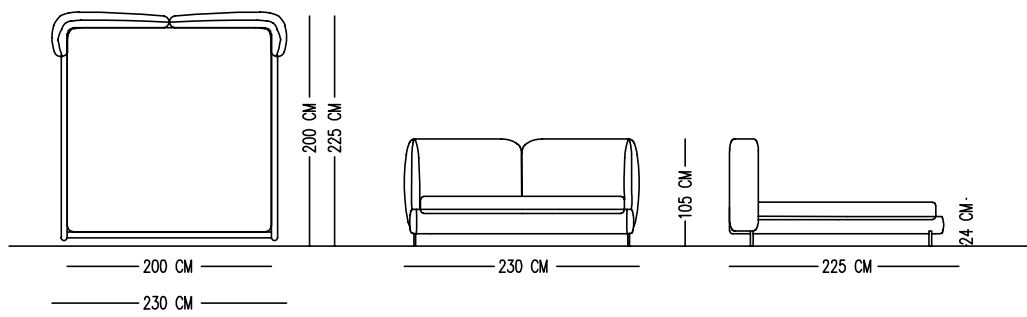
Designed by
Norde Design Studio

INTERIOR STRUCTURE FRAME BEECH CONTRA

BACK CUSHION HR FOAM

UPHOLSTERY TIGHT

MAINTENANCE We recommend shaking and fluffing-up the cushions regularly to maintain the shape. This should be done after removing the cushions from the structure for improved air circulation. For maintenance of fabric and leather, please contact your retailer.



Catalog product

Product Legs

Catalog product-Fabric
N-B12/Boucle
V-12

Black painted metal